

## No. 6847S

### Hook type toggle clamp with safety latch

**Lock when closed.**

Galvanized and passivated. Case-hardened, pre-lubricated bearing bushes. Rivet is stainless steel. Hook and clamping sleeve tempered. Handle made of red, oil-resistant plastic.



CAD

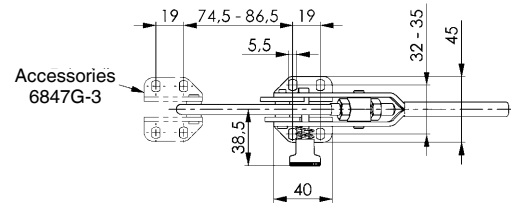
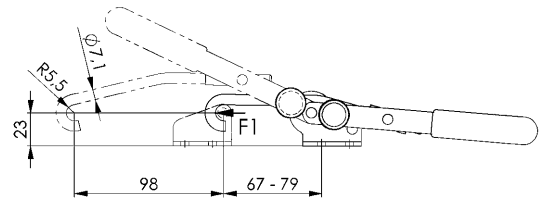
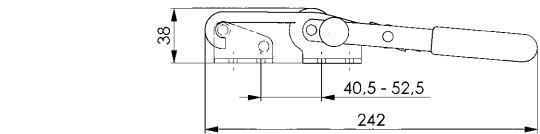
Order no.	Size	F1 [kN]	Weight [g]
93666	3	3	295

**Note:**

The engagement height of 23 mm must be observed to ensure secure latching.

**On request:**

A „stainless steel“ version is available.



**Recommendations**



No. 6847G, page 52



No. 6847, page 52



No. 6847SU, page 75

## No. 6847SU

### Hook type toggle clamp with safety latch

**U-shackle, locks when closed.**

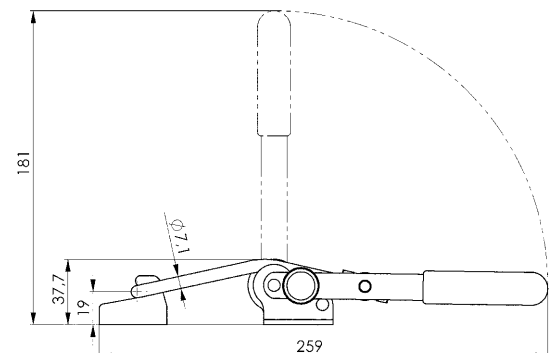
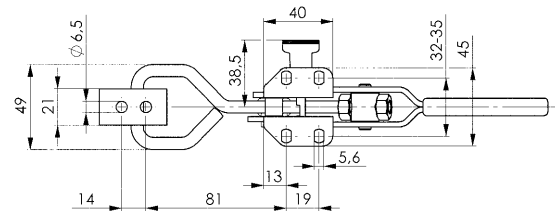
Galvanized and passivated. Case-hardened, pre-lubricated bearing bushes. Stainless steel rivets. Tempered shackle and clamping sleeve. Handle made of red, oil-resistant plastic.

**Supplied complete with counter catch.**



CAD

Order no.	Size	F1 [kN]	Weight [g]
91470	3	3	295



**Recommendations**



No. 6848H, page 54



No. 6848V, page 56



No. 6849PH, page 58