

No. 6803

Vertical toggle clamp with red handle

with open clamping arm and angle base.

Galvanized and passivated. Rivets made of stainless steel, which, for sizes 2 and 3, run in hardened bushings. Bearings are pre-lubricated.

Ergonomic, oil-resistant handle with large grip surface and soft components. Safety clamping piece with finger protection. Lock washer for the thrust bolt at the end of the clamping arm.

Complete with tempered, galvanized clamping screw no. 6890.



Order no.	Size	F1 [kN]	F2 [kN]	Clamping screw	Weight [g]
90316	1	0,8	1,1	M5x30	125
90324	2	1,0	1,2	M6x35	220
90332	3	1,4	2,5	M8x45	400
90340	4	2,0	3,0	M8x65	650

Also available in „STAINLESS STEEL“ version (no. 6803NI).

No. 6803Y

Vertical toggle clamp with yellow handle

NEW!



Order no.	Size	F1 [kN]	F2 [kN]	Clamping screw	Weight [g]
557024	1	0,8	1,1	M5x30	125
557025	2	1,0	1,2	M6x35	220
557026	3	1,4	2,5	M8x45	400
557027	4	2,0	3,0	M8x65	650

Also available in „STAINLESS STEEL“ version (no. 6803NIY).

No. 6803J

Vertical toggle clamp with orange handle

NEW!



Order no.	Size	F1 [kN]	F2 [kN]	Clamping screw	Weight [g]
557318	1	0,8	1,1	M5x30	125
557319	2	1,0	1,2	M6x35	220
557320	3	1,4	2,5	M8x45	400
557321	4	2,0	3,0	M8x65	650

Also available in „STAINLESS STEEL“ version (no. 6803NIJ).

No. 6803E

Vertical toggle clamp with blue handle

NEW!



Order no.	Size	F1 [kN]	F2 [kN]	Clamping screw	Weight [g]
557630	1	0,8	1,1	M5x30	125
557631	2	1,0	1,2	M6x35	220
557632	3	1,4	2,5	M8x45	400
557633	4	2,0	3,0	M8x65	650

Also available in „STAINLESS STEEL“ version (no. 6803NIE).

Subject to technical alterations.

No. 6803G

Vertical toggle clamp with green handle

NEW!



Order no.	Size	F1 [kN]	F2 [kN]	Clamping screw	Weight [g]
557479	1	0,8	1,1	M5x30	125
557480	2	1,0	1,2	M6x35	220
557481	3	1,4	2,5	M8x45	400
557482	4	2,0	3,0	M8x65	650

Also available in „STAINLESS STEEL“ version (no. 6803NIG).

No. 6803T

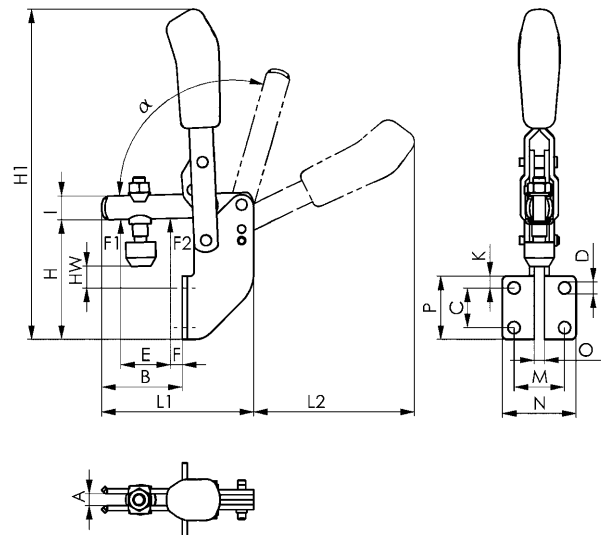
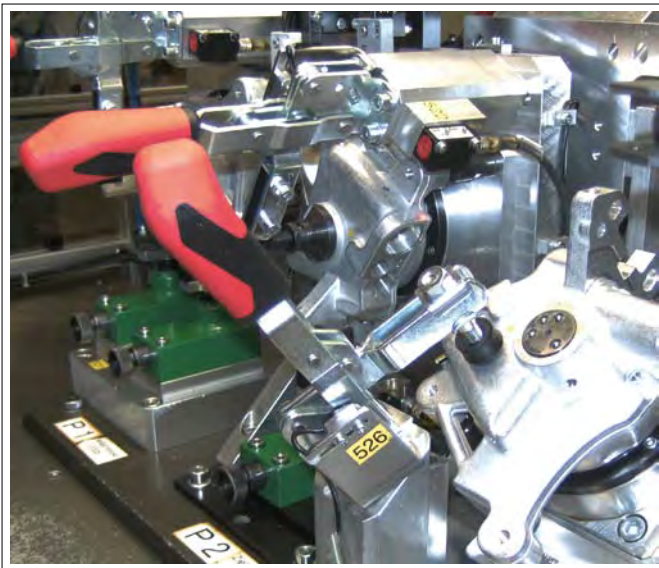
Vertical toggle clamp with black handle

NEW!



Order no.	Size	F1 [kN]	F2 [kN]	Clamping screw	Weight [g]
557977	1	0,8	1,1	M5x30	125
557978	2	1,0	1,2	M6x35	220
557979	3	1,4	2,5	M8x45	400
557980	4	2,0	3,0	M8x65	650

Also available in „STAINLESS STEEL“ version (no. 6803NIT).



Recommendations



No. 6895,
page 154



No. 6896,
page 153



No. 6803S,
page 64

Dimensions:

Size	A	B	C	D	E	F	H	H1	HW min.	HW max.	I	K	L1	L2	M	N	O	P	α	α^*
1	5	34,5	14	4,5	18	7	45	125	2,5	9,0	10	10	61	58	20,0	30,0	5	30	98°	-
2	6	41,0	20	6,1	25	6	60	167	7,5	15,5	12	6	77	81	25,5	37,0	5	32	105°	60°
3	8	63,0	24	6,5	37	11	71	223	9,0	17,5	18	7	111	112	28,5	42,5	6	38	105°	60°
4	10	84,0	32	8,5	54	11	102	280	11,0	40,0	20	54	141	129	32,0	52,0	8	96	105°	60°

* The opening angle can be changed by pressing in a stop pin.

Subject to technical alterations.