

## No. 6805

### Vertical toggle clamp with red handle

clamping arm with fixed distance of clamping screw and horizontal base.

Galvanized and passivated. Stainless steel rivets. Bearings are pre-lubricated.

Ergonomic, oil-resistant handle with large grip surface and soft components. Safety clamping piece with finger protection.

Complete with tempered, galvanized clamping screw no. 6885.



Order no.	Size	F1 [kN]	Clamping screw	Weight [g]
90514	1	1	M5x30	100

## No. 6805Y

### Vertical toggle clamp with yellow handle

**NEW!**



Order no.	Size	F1 [kN]	Clamping screw	Weight [g]
557037	1	1	M5x30	100

## No. 6805J

### Vertical toggle clamp with orange handle

**NEW!**



Order no.	Size	F1 [kN]	Clamping screw	Weight [g]
557330	1	1	M5x30	100

## No. 6805E

### Vertical toggle clamp with blue handle

**NEW!**



Order no.	Size	F1 [kN]	Clamping screw	Weight [g]
557654	1	1	M5x30	100

Subject to technical alterations.

## No. 6805G

Vertical toggle clamp with green handle

**NEW!**



Order no.	Size	F1 [kN]	Clamping screw	Weight [g]
557491	1	1	M5x30	100

## No. 6805T

Vertical toggle clamp with black handle

**NEW!**



Order no.	Size	F1 [kN]	Clamping screw	Weight [g]
557989	1	1	M5x30	100

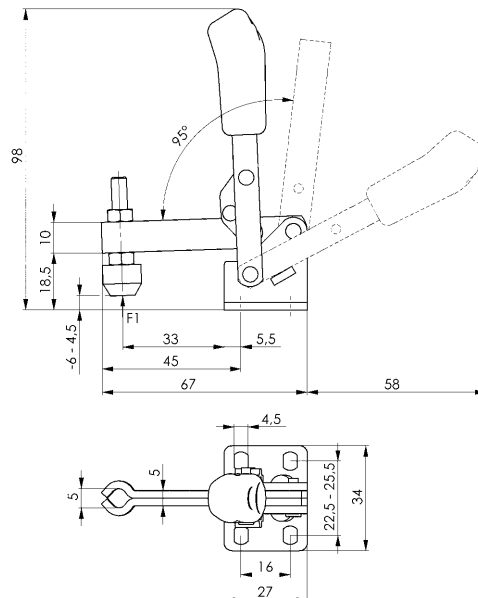
### Recommendations



No. 6886,  
page 151



No. 6804,  
page 16



CAD