

No. 6842

Heavy-duty push-pull type toggle clamp with red handle

For push- and pull-clamping.

(Equal operation of rod and lever).

Heavy-duty version with long rod-guide. Base of malleable casting, varnished. Toggle parts and push rod are heat-treated steel, galvanized and passivated. Rivets made of stainless steel, which, for size 3, run in hardened bushings. Bearings are pre-lubricated.

Ergonomic, oil-resistant handle with large grip surface and soft components for size 3 and 5.

Complete with tempered, galvanized clamping screw no. 6880.

| Order no. | Size | F1 [kN] | F2 [kN] | Clamping screw | Weight [g] |
|-----------|------|------------|------------|----------------|---------------|
| 94235 | 3 | 4 | 4 | M 8x35 | 540 |
| 94250 | 5 | 10 | 10 | M12x50 | 1115 |
| 94276 | 7 | 25 | 25 | M12x50 | 2840 |



No. 6842Y

Heavy-duty push-pull type toggle clamp with yellow handle

NEW!



| Order no. | Size | F1 [kN] | F2 [kN] | Clamping screw | Weight [g] |
|-----------|------|------------|------------|----------------|---------------|
| 557171 | 5 | 10 | 10 | M12x50 | 1115 |
| 557172 | 7 | 25 | 25 | M12x50 | 2840 |

No. 6842J

Heavy-duty push-pull type toggle clamp with orange handle

NEW!



| Order no. | Size | F1 [kN] | F2 [kN] | Clamping screw | Weight [g] |
|-----------|------|------------|------------|----------------|---------------|
| 557403 | 5 | 10 | 10 | M12x50 | 1115 |
| 557404 | 7 | 25 | 25 | M12x50 | 2840 |

No. 6842E

Heavy-duty push-pull type toggle clamp with blue handle

NEW!



| Order no. | Size | F1 [kN] | F2 [kN] | Clamping screw | Weight [g] |
|-----------|------|------------|------------|----------------|---------------|
| 557714 | 5 | 10 | 10 | M12x50 | 1115 |
| 557715 | 7 | 25 | 25 | M12x50 | 2840 |

No. 6842G

Heavy-duty push-pull type toggle clamp with green handle

NEW!



| Order no. | Size | F1 [kN] | F2 [kN] | Clamping screw | Weight [g] |
|-----------|------|------------|------------|----------------|---------------|
| 557561 | 5 | 10 | 10 | M12x50 | 1115 |
| 557562 | 7 | 25 | 25 | M12x50 | 2840 |

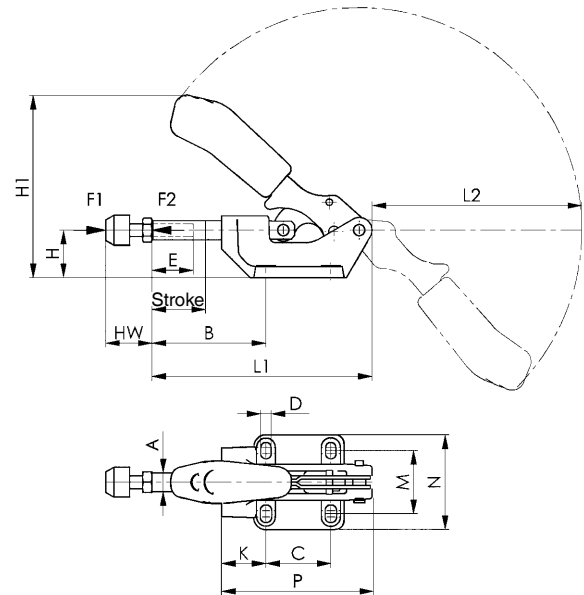
No. 6842T

Heavy-duty push-pull type toggle clamp with black handle

NEW!



| Order no. | Size | F1 [kN] | F2 [kN] | Clamping screw | Weight [g] |
|-----------|------|------------|------------|----------------|---------------|
| 558054 | 5 | 10 | 10 | M12x50 | 1115 |
| 558055 | 7 | 25 | 25 | M12x50 | 2840 |



Recommendations



No. 6841,
page 40



No. 6842PL,
page 51



No. 6860,
page 38

Dimensions:

| Size | A | B min. | B max. | C | D | E | H | H1 | Stroke | HW min. | HW max. | K | L1 | L2 | M | N | P |
|------|----|--------|--------|----|------|----|----|-------|--------|---------|---------|----|-----|-----|-------|----|-----|
| 3 | 12 | 40 | 72 | 41 | 6,5 | 30 | 30 | 116,0 | 32 | 22 | 35 | 28 | 139 | 135 | 36-44 | 60 | 95 |
| 5 | 16 | 58 | 98 | 41 | 8,5 | 50 | 38 | 137,5 | 40 | 30 | 50 | 45 | 174 | 156 | 41-50 | 71 | 121 |
| 7 | 22 | 59 | 105 | 70 | 11,0 | 50 | 55 | 179,0 | 50 | 30 | 50 | 45 | 218 | 192 | 57-65 | 93 | 158 |



Subject to technical alterations.